

All rights reserved by **CNH Industrial**.

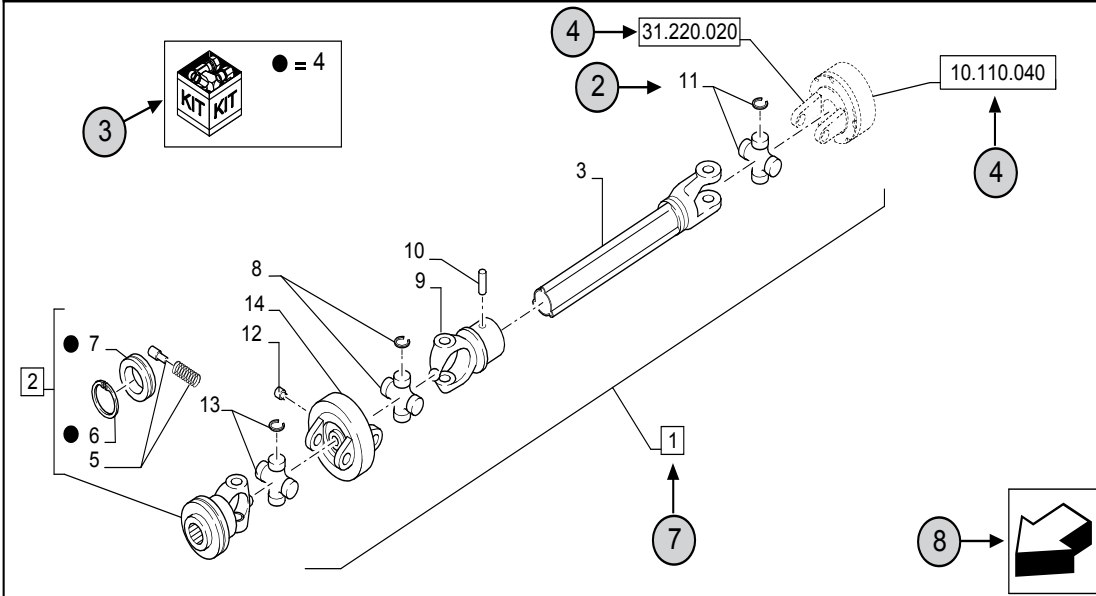
The information contained in this catalogue is intended to be of a general nature only. **CNH Industrial** may at any time and from time to time, for technical or other necessary reasons, modify any of the details or specifications of the product described in this catalogue.

To be sure of getting accurate, detailed and up-to-date information, an intending buyer should consult his nearest **CNH Industrial** dealer or distributor.

Single item numeration method used in this catalogue may not be used without written consent from **CNH Industrial**

31.220.010	01	p1	10/2014
------------	----	----	---------

VAR - 123782, 789101,987654 - PTO - D650



STANDARD ← 6


23	9	10	31.220.010	01	p1	10/2014
----	---	----	------------	----	----	---------

VAR - 123782, 789101,987654 - PTO - D650

11 12 13 14

REF	FN	PART NUMBER	YR/SN	QTY	DESCRIPTION
1	1	86529340	20	1	SHAFT PTO, Incl 2 - 11
2	15	84014007		1	YOKE, Incl 4 - 7 ← 7
3	16	NSS		1	NOT SERVICED SEPARATELY, SHAFT, 350mm, Incl in 1
4		84004292		1	KIT, Seal Kit, Incl 6, 7 ← 17
4		{84058743}		1	KIT, Seal Kit, Incl 6, 7
	2			21	
	18			22	
	19				
		1 = FOR ITALY ONLY ← 5			

MODELS ← 1

- 1 Model Number and Model Description
- 2 Reference - Figure call-out of the part number.
- 3 Parts supplied in repair kits per symbol reference.
- 4 31.220.020 Part illustrated on the **Page** or in the **Figure** indicated, or calls for **Variations** or **Details**. Indicates components shown in detail elsewhere in the catalogue under the figure number shown.
- 5 Footnote references
- 6 Figure notes
- 7 1 2 Includes item(s) ..... (See Description within partlist).
- 8 Orientation. (Arrow indicates front of the machine). 
- 9 Figure description.
- 10 General information of the figure.
- 11 Figure title number that aligns with the SRT. Standard Repair Time.
- 12 **Sequence** code within the assembly.
- 13 Page number within the sequence code.
- 14 **Date** of printing or updating of page (month-year).
- 15 **Note** - Relating to the Part Number. There is a key to symbols and abbreviations at the bottom of the text page.
- 16 Non-serviced parts.
- 17 Further description of the part to help confirm identification.
- 18 Not available as service part.
- 19 Part Number.
- 20 To be defined.
- 21 Total **Quantity** of the Part referred to in the page.  
The quantity can be replaced by the following indications:  
**AR** = quantity as requested.
- 22 Part **Description**.
- 23 Variant Codes

---

## TABLE OF CONTENTS

---

00 -01		INITIAL STOCKING LIST (ISL) T8050 FOR N.A. ONLY
05.100.01		INITIAL STOCKING LIST (LIST A) TG215
05.100.01		INITIAL STOCKING LIST (LIST A) TG245
05.100.01		INITIAL STOCKING LIST (LIST A) TG275
05.100.01		INITIAL STOCKING LIST (LIST A) TG305
05.100.03		FILTER & CAPACITIES, TG215
05.100.03	01	FILTER & CAPACITIES, TG245
05.100.03	01	FILTERS, T8010
05.100.03	01	FILTERS, T8020 - T8030 - T8040 - T8050
05.100.03	01	FILTERS, TG215
05.100.03	01	FILTERS, TG245
05.100.03	01	FILTERS, TG275
05.100.03	01	FILTERS, TG305
05.100.03	02	CAPACITIES, TG215
05.100.03	02	CAPACITIES, TG245
05.100.03	02	CAPACITIES, TG275
05.100.03	02	CAPACITIES, TG305
05.100.03	02	FILTER & CAPACITIES, TG275
05.100.03	03	FILTER & CAPACITIES, TG305
02 -01		RADIATOR AND FAN SHROUD
02 -02		VARIABLE PITCH FAN SYSTEM
02 -03		RADIATOR ASSEMBLY
02 -04		DEAERATION SYSTEM
02 -05		AIR INDUCTION SYSTEM
02 -06		AFTERCOOLER
02 -07		EXHAUST SYSTEM
02 -08		ENGINE SUPPORT HOUSING ASSEMBLY
02 -09		WATER PUMP SYSTEM
02 -10		FRONT GEAR COVER
02 -11		MANIFOLDS
02 -12		TURBOCHARGER SYSTEM
02 -13		TURBOCHARGER ASSEMBLY - INTERNAL COMPONENTS
02 -14		TURBOCHARGER - WASTEGATE ACTUATOR
02 -15		FILTER AND COOLER - OIL
02 -16		OIL PUMP AND OIL PAN - T8050
02 -16		OIL PUMP AND OIL PAN - TG215, TG245, TG275, TG305, T8010, T8020, T8030, T8040

---

## TABLE OF CONTENTS

---

02 -17	CYLINDER HEAD - COVER
02 -18	CYLINDER HEAD - VALVE MECHANISM, TG215, TG245, TG275, T8010, T8020, AND T8030
02 -19	CYLINDER HEAD - VALVE MECHANISM, TG305, T8040 AND T8050
02 -20	THERMOSTAT - FILTER, WATER
02 -21	CRANKCASE, BREATHER
02 -22	CAMSHAFT
02 -23	CYLINDER BLOCK - ENGINE BLOCK HEATERS
02 -24	KIT ENGINE OVERHAUL, TG215, TG245, TG275, TG305, T8010, T8020, T8030 AND T8040
02 -24A	KIT ENGINE OVERHAUL, T8050
02 -25	CRANKSHAFT
02 -26	FLYWHEEL
02 -27	PISTONS - CONNECTING RODS, TG215, 245, 275, 305, T8010, T8020, T8030, T8040
02 -28	PISTONS - CONNECTING RODS, T8050
02 -29	GASKET KIT - VALVE GRIND
02 -30	GASKET KIT - CYLINDER BLOCK
02 -31	GASKET KIT - BASIC SERVICE ENGINE
02 -32	REVERSING FAN KIT WITH TIMER MODULE - DIA KIT BSN Z7RW05000
02 -33	REVERSING FAN KIT - DIA KIT ASN Z7RW05000
03 -01	FUEL INJECTION SYSTEM
03 -02	FUEL DRAIN
03 -03	PUMP, FUEL TRANSFER
03 -04	FUEL FILTER AND CONNECTIONS
03 -05	FUEL INJECTION - PUMP AND DRIVE
03 -06	HAND THROTTLE
03 -07	FOOT THROTTLE
03 -08	FUEL TANKS
03 -09	FUEL LINES WITH SEPARATOR FILTER
03 -10	FUEL SEPARATOR FILTER
06 -01	TRANSMISSION DRIVE SHAFT AND DAMPER
06 -02	SPEED TRANSMISSION - FRONT COVER
06 -03	SPEED TRANSMISSION - HOUSING
06 -04	PLATE ASSEMBLY - VALVE MOUNTING, LEFT HAND SIDE
06 -05	PLATE ASSEMBLY - VALVE MOUNTING, TOP
06 -06	SPEED TRANSMISSION - INPUT SHAFT - 40 KPH W/O CREEP
06 -07	SPEED TRANSMISSION - INPUT SHAFT - ALL 50 KPH; 40 KPH W/CREEP
06 -08	SPEED TRANSMISSION - COUNTERSHAFT - 40 KPH W/O CREEP

---

## TABLE OF CONTENTS

---

06 -09	SPEED TRANSMISSION - COUNTERSHAFT - ALL 50 KPH; 40 KPH W/CREEP
06 -10	SPEED TRANSMISSION - OUTPUT SHAFT FRONT CLUTCH
06 -11	SPEED TRANSMISSION - OUTPUT SHAFT REAR CLUTCH
06 -12	RANGE TRANSMISSION - HOUSING
06 -13	VALVE ASSY - INCHING
06 -14	RANGE TRANSMISSION - INPUT SHAFT
06 -15	RANGE TRANSMISSION - MASTER CLUTCH
06 -16	RANGE TRANSMISSION - COUNTERSHAFT
06 -17	TRANSMISSION - PINION SHAFT AND GEARS, TG215, TG245, TG275, T8010, T8020, AND T8030
06 -18	TRANSMISSION - PINION SHAFT AND GEARS, TG305, T8040, AND T8050
06 -19	TRANSMISSION - DIFFERENTIAL
06 -20	RANGE TRANSMISSION - MFD CLUTCH AND PARK BRAKE - TRANSMISSION BSN AJB367211
06 -21	RANGE TRANSMISSION - MFD CLUTCH AND PARK BRAKE - TRANSMISSION ASN AJB367211
06 -22	MFD AXLE - DRIVE SHAFT, STANDARD AND SUSPENDED AXLE
06 -23	MFD AXLE - DRIVE SHAFT, SUPERSTEER AXLE
06 -24	TRANSMISSION CONTROL VALVE LOCATION
06 -25	VALVE ASSEMBLY - TRANSMISSION CONTROL (450729A2)
06 -26	VALVE ASSEMBLY - TRANSMISSION CONTROL (450724A2)
06 -27	VALVE ASSEMBLY - TRANSMISSION CONTROL (450728A2)
06 -28	VALVE ASSEMBLY - TRANSMISSION CONTROL (87323842)
06 -29	PEDAL - INCHING
06 -30	LEVER ASSEMBLY - TRANSMISSION CONTROL
06 -31	REAR AXLE - HOUSING
06 -32	REAR AXLE - PLANETARY, TG215, TG245, T8010, AND T8020
06 -33	REAR AXLE - PLANETARY, TG275, TG305, T8030, T8040 AND T8050 BSN AJB0368909
06 -34	REAR AXLE - PLANETARY, TG275, TG305, T8030, T8040 AND T8050 ASN AJB0368909
06 -35	REAR AXLE - 4 X 120 INCH
06 -36	REAR AXLE - 4-1/2 X 120 INCH
06 -37	TRANSMISSION - PUMP DRIVE
06 -38	POWER TAKE OFF ASSEMBLY - INPUT SHAFT
06 -39	POWER TAKE OFF ASSEMBLY - REDUCTION GEAR, DUAL SPEED
06 -40	POWER TAKE OFF ASSEMBLY - OUTPUT SHAFT, DUAL SPEED
06 -41	POWER TAKE OFF ASSEMBLY - OUTPUT SHAFT, SINGLE SPEED
06 -42	POWER TAKE OFF ASSEMBLY - OUTPUT SHAFT, SINGLE SPEED REVERSIBLE SHAFT
06 -43	POWER TAKE OFF ASSEMBLY - SHIELDS
06 -44	WHEEL, REAR

---

## TABLE OF CONTENTS

---

06 -45		HUB ASSEMBLY - REAR WHEEL
06 -46		SPACER - DUAL REAR WHEELS
06 -47		REAR WHEEL WEIGHTS
06-48		KIT PTO CLUTCH UPGRADE
05.100.03	02	CAPACITIES, T8010
05.100.03	02	CAPACITIES, T8020 - T8030 - T8040 - T8050
07 -01		BRAKES - PEDAL BRAKE
07 -02		BRAKES - HYDRAULIC SYSTEM, WITHOUT TRAILER BRAKES
07 -03		BRAKES - HYDRAULIC SYSTEM, WITH HYDRAULIC TRAILER BRAKES
07 -04		BRAKES - HYDRAULIC SYSTEM, WITH PNEUMATIC TRAILER BRAKES
07 -05		BRAKES - CONTROL VALVE
07 -05A		BRAKES - CONTROL VALVE, SERVICE ONLY
07 -06		BRAKES - DIFFERENTIAL
07 -07		BRAKES - PARK AND EMERGENCY BRAKE - LEVER AND LINKAGE
07 -08		PARK BRAKE - HYDRAULIC SYSTEM
07 -09		PARK BRAKE - RELEASE
07 -10		TRAILER BRAKES - HYDRAULIC - BSN Z7RW01522
07 -11		TRAILER BRAKES - HYDRAULIC - ASN Z7RW01522
07 -12		TRAILER BRAKES - HYDRAULIC - INTELLISTEER
07 -13		VALVE - HYDRAULIC TRAILER BRAKE
07 -14		TRAILER BRAKES - PNEUMATIC, AIR COMPRESSOR MOUNTING AND DRIVE
07 -15		TRAILER BRAKES - PNEUMATIC, RESERVOIR
07 -16		TRAILER BRAKES - PNEUMATIC, VALVES
07 -17		TRAILER BRAKES - PNEUMATIC, COUPLERS, DUAL LINE
07 -18		TRAILER BRAKES - PNEUMATIC, COUPLERS, TRIPLE LINE
07 -19		TRAILER BRAKES - PNEUMATIC, HAND CONTROL VALVE
04 -01		HARNESS - ENGINE
04 -02		POWER DISTRIBUTION - BSN Z7RW01522
04 -03		POWER DISTRIBUTION - ASN Z7RW01522
04 -04		MODULE, ENGINE CONTROL
04 -05		HARNESS, ENGINE CONTROL MODULE
04 -06		MODULES-CHASSIS
04 -07		HARNESS-CHASSIS
04 -08		SOLENOID AND CABLES - GRID HEATER
04 -09		HARNESS - REMOTE HYDRAULIC VALVE
04 -10		HARNESS - CAB

---

## TABLE OF CONTENTS

---

04 -11	HARNESS - CAB ROOF, SHELF AND CD CHANGER
04 -12	HARNESS - STEERING - T8050
04 -13	HARNESS - SUSPENDED AXLE
04 -14	HARNESS - EGRESS LIGHTING
04 -15	HARNESS - VARIABLE PITCH FAN - BSN Z7RW05000
04 -15A	HARNESS - ARMREST JUMPERS
04 -16	ELECTRICAL COMPONENT MOUNTING - BSN Z7RW05917
04 -17	ELECTRICAL COMPONENT MOUNTING - ASN Z7RW05917
04 -18	ELECTRICAL COMPONENT MOUNTING - FUSES
04 -18A	POWER OUTLETS - CAB
04 -19	A-POST COVER - INSTRUMENT CLUSTER
04 -20	CONTROLS - FRONT CONSOLE
04 -21	CONTROLS - RIGHT HAND CONSOLE
04 -22	CONTROLS - RIGHT FENDER CONSOLE, WITHOUT ATC
04 -23	CONTROLS - RIGHT FENDER CONSOLE, WITH ATC
04 -24	TURN SIGNAL ASSEMBLY
04 -25	ALTERNATOR - MOUNTING
04 -26	STARTER MOUNTING
04 -27	SOLENOID STARTER
04 -28	BATTERY, BATTERY BOX AND CABLES
04 -29	WINDSHIELD WIPER ASSEMBLY - FRONT AND REAR
04 -30	RIGHT HAND WINDOW WIPER
04 -31	WINDSHIELD WASHER
04 -32	HEADLAMPS - HORN
04 -32A	LAMPS - WIDE TRANSPORT, FIXED
04 -33	LAMPS - WIDE TRANSPORT, ADJUSTABLE
04 -34	LAMPS - FRONT WORK
04 -35	LAMPS - CAB ROOF
04 -36	LAMPS - REAR FENDER AND REMOTE HITCH SWITCH
04 -37	WORK LAMPS - ROOF AND REAR FENDERS
04 -38	C - POST ROOF LIGHTS & FRONT HITCH LIGHTING
04 -39	LAMP - BEACON
04 -40	RADIOS, SPEAKERS AND ANTENNAS
04 -41	GROUND SPEED SENSOR
04 -42	IMPLEMENT CONNECTORS AND MOUNTING
04 -43	MODULE, TRACTOR MULTIFUNCTION



---

## TABLE OF CONTENTS

---

04 -44	ISO 11783 HARNESS AND MONITOR
04 -45	INTELLISTEER - HARNESS AND MONITOR - BSN Z6RW04001
04 -46	INTELLISTEER - HARNESS AND MONITOR - BTW Z6RW04001 AND Z7RW01522
04 -47	INTELLISTEER - HARNESS AND MONITOR - ASN Z7RW01522
04 -47A	FLEXICOIL CONTROLLER KITS
04 -48	REMOTE DATA LOGGER
04 -49	INTELLISTEER CONTROL MODULE AND MOUNTING
04 -50	INTELLISTEER HARNESSES
04 -51	INTELLISTEER RADIO AND ANTENNA
04 -52	INTELLISTEER BASE STATION
08 -01	HYDRAULIC SYSTEM - OIL COOLER
08 -02	HYDRAULIC SYSTEM - CHARGE PUMP
08 -03	HYDRAULIC SYSTEM - PISTON PUMP AND FILTER, STANDARD FLOW CAPACITY & MEGAFLOW
08 -04	HYDRAULIC SYSTEM - MEGAFLOW PUMP
08 -05	HYDRAULIC SYSTEM - REGULATED PRESSURE
08 -06	HYDRAULIC SYSTEM - CREEP SPEED
08 -07	HYDRAULIC SYSTEM - TRANSMISSION LUBE
08 -08	HYDRAULIC SYSTEM - HITCH
08 -09	HYDRAULIC TOP LINK - HITCH, SHORT ARMS
08 -10	HYDRAULIC TOP LINK - HITCH, LONG ARMS
08 -11	HYDRAULIC LIFT LINK - HITCH, RIGHT HAND
08 -12	HYDRAULIC SYSTEM - PTO/DIFFERENTIAL LOCK VALVE
08 -13	HYDRAULIC SYSTEM - REMOTE COUPLERS
08 -14	HYDRAULIC SYSTEM - COUPLER SPILLAGE
08 -15	HYDRAULIC SYSTEM - POWER BEYOND
08 -16	HYDRAULIC SYSTEM - MOTOR RETURN
08 -17	PRIORITY AND REGULATOR VALVE ASSEMBLY - TG215, TG245, TG275, TG305, T8010, T8020, T8030, T8040
08 -18	PRIORITY AND REGULATOR VALVE ASSEMBLY - T8050
08 -19	PTO AND DIFFERENTIAL LOCK VALVE ASSEMBLY
08 -20	REMOTE HYDRAULIC VALVE STACK, BSN AJB363596
08 -21	REMOTE HYDRAULIC VALVE STACK, ASN AJB363596
08 -22	MANIFOLD VALVE ASSEMBLY, WITH STANDARD FLOW HYDRAULICS, BSN AJB363596
08 -23	MANIFOLD VALVE ASSEMBLY, WITH STANDARD FLOW HYDRAULICS, ASN AJB363596
08 -24	MANIFOLD VALVE ASSEMBLY, WITH MEGAFLOW HYDRAULICS, BSN AJB363596
08 -25	MANIFOLD VALVE ASSEMBLY, WITH MEGAFLOW HYDRAULICS, ASN AJB363596
08 -26	REMOTE HYDRAULIC CONTROL VALVE, BSN AJB363596

---

## TABLE OF CONTENTS

---

08 -27	REMOTE HYDRAULIC CONTROL VALVE, ASN AJB363596
08 -28	HITCH VALVE ASSEMBLY
08 -29	REMOTE HYDRAULIC COUPLING MOUNTING
08 -30	REMOTE HYDRAULIC COUPLINGS
08 -30A	CYLINDER ASSEMBLY - HITCH (88.9 MM)
08 -31	CYLINDER ASSEMBLY - HITCH (90 MM)
08 -32	CYLINDER ASSEMBLY - HITCH (95 MM)
08 -33	CYLINDER ASSEMBLY - HITCH (105 MM) - TG275, 305, T8030, T8040, AND T8050
08 -34	CYLINDER ASSEMBLY - HITCH (110 MM)
08 -35	POWER BEYOND VALVE ASSEMBLY
08 -36	DIA KIT, OIL COOLER, HIGH PERFORMANCE
08 -37	DIA KIT, POWER BEYOND AND MOTOR RETURN VALVE
08 -38	DIA KIT, ATTACHMENT 5TH REMOTE
09 -01	FRONT FRAME
09 -02	FRONT WEIGHTS, WITHOUT SUPERSTEER
09 -03	FRONT WEIGHTS, WITH SUPERSTEER
09 -04	FENDERS - FRONT, FRAME MOUNTED
09 -05	FENDERS - FRONT, AXLE MOUNTED, RIGID
09 -06	FENDERS - FRONT, AXLE MOUNTED, DYNAMIC
09 -07	FENDERS - REAR, NARROW
09 -08	FENDERS - REAR, WIDE - BSN Z9RW01001
09 -08A	FENDERS - REAR, WIDE - ASN Z9RW01001
09 -09	HOOD - TILTING
09 -10	HOOD - FIXED
09 -11	HOOD - SUPPORT
09 -12	CAB - MOUNTING AND FRAME
09 -13	CAB - ROOF
09 -14	CAB - EXTERIOR TRIM
09 -15	CAB - STEPS
09 -16	CAB - FRONT WINDOW STEP
09 -17	CAB - DOOR
09 -18	CAB - REAR WINDOW
09 -19	CAB - FIXED GLASS
09 -20	MIRRORS - BSN Z7RZ01152
09 -21	MIRRORS - ASN Z7RZ01152
09 -22	CAB - HEADLINER, STANDARD TRIM

---

## TABLE OF CONTENTS

---

09 -23		CAB - HEADLINER, DELUXE TRIM
09 -24		CAB - FLOOR MAT AND INSULATION
09 -25		CAB - TRIM, FENDERS
09 -26		CAB - TRIM, CAB POSTS
09 -27		CAB - INSTRUMENT PANEL
09 -28		SEAT ASSEMBLY
09 -29		SEAT - CUSHION ASSEMBLY WITHOUT HEAT, WITHOUT AUTO COMFORT SUSPENSION
09 -30		SEAT - CUSHION ASSEMBLY WITH HEAT, WITHOUT AUTO COMFORT SUSPENSION
09 -31		SEAT - CUSHION ASSEMBLY WITH HEAT, WITH AUTO COMFORT SUSPENSION
09 -32		SEAT - SUSPENSION ASSEMBLY
09 -33		SEAT - SUSPENSION ASSEMBLY
09 -34		SEAT - AUTO COMFORT SUSPENSION ASSEMBLY
09 -35		SEAT - INSTRUCTIONAL
09 -36		CONSOLE, RIGHT HAND, STANDARD CAB
09 -37		CONSOLE, RIGHT HAND, DELUXE CAB - BSN Z7RW01522
09 -38		CONSOLE, RIGHT HAND, DELUXE CAB - ASN Z7RW01522
09 -39		MONITOR MOUNTING - CAB ROOF
09 -40		MONITOR MOUNTING - CAB A POST
09 -41		AIR CONDITIONING - COMPRESSOR MOUNTING
09 -42		AIR CONDITIONING - CONDENSER
09 -43		HEATER SYSTEM
09 -44		AIR CONDITIONING - CLIMATE CONTROL UNIT, WITHOUT AUTO TEMP CONTROL
09 -45	01	AIR CONDITIONING - CLIMATE CONTROL, WITH AUTO TEMPERATURE CONTROL - HVAC UNIT SN PRIOR TO BIH011024
09 -45	02	AIR CONDITIONING - CLIMATE CONTROL, WITH AUTO TEMPERATURE CONTROL - HVAC UNIT SN BIH011024 AND LATER
09 -46		AIR CONDITIONING - AIR FILTER
09 -47		AIR CONDITIONING - DUCTS
09 -48		CAB - INSULATION
09 -49		DRAWBAR AND HAMMERSTRAP - STANDARD, TG215, 245, 275, 305, T8010, T8020, T8030, AND T8040
09 -50		DRAWBAR AND HAMMERSTRAP - HIGH CAPACITY, CAT III
09 -51		DRAWBAR AND HAMMERSTRAP - HIGH CAPACITY, CAT IV
09 -52		HITCH - SUPPORTS AND ROCKSHAFT
09 -53		HITCH - TOP LINK BALL END - TG245, TG275, TG305, T8020, T8030, T8040 AND T8050
09 -54		HITCH - TOP LINK
09 -55		HITCH - TOP LINK
09 -56		HITCH - LIFT LINKS

---

## TABLE OF CONTENTS

---

09 -57		CYLINDER ASSEMBLY - HYDRAULIC LIFT LINK - HITCH, RIGHT HAND
09 -58		HITCH - LOWER LIFT LINKS
09 -59		HITCH - LOWER LIFT LINKS
09 -60		HITCH - LOWER LIFT LINKS - CATEGORY IV
09 -61		HITCH - SWAY LIMITER
09 -62		QUICK HITCH COUPLER - CONVERTIBLE, CATEGORY III / III-N, BSN Z6RW02099
09 -63		QUICK HITCH COUPLER - CONVERTIBLE, CATEGORY III / III-N, ASN Z6RW02099
09 -63A		DIA KIT, QUICK HITCH COUPLER ADAPTER CATEGORY III / III-N
09 -64		QUICK HITCH COUPLER - CONVERTIBLE, CATEGORY III / IV-N
09 -65		HITCH - POSITION SENSOR
09 -66		HITCH - DRAFT CONTROL PINS
09 -67		DECALS
09 -68		DECALS
09 -69		DECALS
09 -70		DECALS - WARNING
09-66	01	KIT EDC PIN AND RETAINER
05 -01		STEERING WHEEL AND COLUMN
05 -02		STEERING COLUMN ASSEMBLY
05 -03		STEERING SYSTEM - MFD, WITHOUT SUPERSTEER
05 -04		STEERING SYSTEM - MFD, WITH SUPERSTEER
05 -05		STEERING SYSTEM - MFD WITH INTELLISTEER OR SUPERSTEER
05 -05A		VALVE ASSEMBLY - AUTOGUIDANCE
05 -05B		STEERING SYSTEM - CLASS V - STANDARD MFD
05 -06		HYDRAULIC SYSTEM - MFD DIFFERENTIAL LOCK
05 -06A		HYDRAULIC SYSTEM - CLASS V - MFD DIFFERENTIAL LOCK
05 -07		HYDRAULIC SYSTEM - SUSPENDED MFD AXLE, BSN Z7RW05000
05 -08		HYDRAULIC SYSTEM - SUSPENDED MFD AXLE, ASN Z7RW05000
05 -09		VALVE ASSY - SUSPENDED MFD AXLE, BSN Z7RW05000
05 -10		VALVE ASSY - SUSPENDED MFD AXLE, ASN Z7RW05000
05 -11		FRONT AXLE - MOUNTING, MFD, WITHOUT SUPERSTEER
05 -12		FRONT AXLE - MOUNTING, MFD, WITH SUPERSTEER
05 -13		FRONT AXLE - MFD, TIE RODS, WITH SUPERSTEER
05 -14		FRONT AXLE ASSY - CLASS V - STANDARD MFD
05 -15		FRONT AXLE - SUSPENSION, SUSPENDED MFD
05 -16		MFD AXLE HOUSING ASSEMBLY - STANDARD WITH 12 BOLT HUB, WITHOUT DIFFERENTIAL LOCK
05 -17		MFD AXLE HOUSING ASSEMBLY - STANDARD WITH 10 BOLT HUB, WITHOUT DIFFERENTIAL LOCK

---

## TABLE OF CONTENTS

---

05 -18	MFD AXLE HOUSING ASSEMBLY - STANDARD WITH 10 BOLT HUB, WITH DIFFERENTIAL LOCK
05 -19	MFD AXLE HOUSING ASSEMBLY - STANDARD WITH 12 BOLT HUB, WITH DIFFERENTIAL LOCK
05 -20	MFD AXLE HOUSING ASSEMBLY - SUSPENDED WITH 10 BOLT HUB, WITH DIFFERENTIAL LOCK
05 -21	MFD AXLE HOUSING ASSEMBLY - SUSPENDED WITH 12 BOLT HUB, WITH DIFFERENTIAL LOCK
05 -22	MFD AXLE HOUSING ASSEMBLY - SUSPENDED WITH 12 BOLT HUB, WITHOUT DIFFERENTIAL LOCK
05 -23	MFD AXLE HOUSING ASSEMBLY - SUPERSTEER WITH 10 BOLT HUB, WITHOUT DIFFERENTIAL LOCK
05 -24	MFD AXLE HOUSING ASSEMBLY - SUPERSTEER WITH 12 BOLT HUB, WITHOUT DIFFERENTIAL LOCK
05 -25	MFD AXLE HOUSING ASSEMBLY - SUPERSTEER WITH 10 BOLT HUB, WITH DIFFERENTIAL LOCK
05 -26	MFD AXLE HOUSING ASSEMBLY - SUPERSTEER WITH 12 BOLT HUB, WITH DIFFERENTIAL LOCK
05 -27	FRONT AXLE KING PIN WITH INTELLISTEER
05 -28	FRONT AXLE DRIVE SHAFT - CLASS V - STANDARD MFD
05 -28A	FRONT AXLE DRIVE SHAFTS - CLASS V - STANDARD MFD
05 -29	FRONT AXLE DRIVE SHAFT - MFD WITHOUT DIFFERENTIAL LOCK
05 -30	FRONT AXLE DRIVE SHAFT - STANDARD AND SUSPENDED MFD, WITH DIFFERENTIAL LOCK
05 -31	CARRIER AND DIFFERENTIAL - CLASS V - STANDARD MFD
05 -32	CARRIER AND DIFFERENTIAL - MFD, 10 BOLT HUB, WITHOUT DIFFERENTIAL LOCK
05 -33	CARRIER AND DIFFERENTIAL - MFD, 12 BOLT HUB, WITHOUT DIFFERENTIAL LOCK
05 -34	CARRIER AND DIFFERENTIAL - MFD, 10 BOLT HUB, WITH DIFFERENTIAL LOCK
05 -35	CARRIER AND DIFFERENTIAL - MFD, 12 BOLT HUB, WITH DIFFERENTIAL LOCK
05 -36	FRONT AXLE PLANETARIES AND HUB - CLASS V - STANDARD MFD
05 -37	FRONT AXLE PLANETARIES AND HUB - MFD, WITH 10 BOLT HUB
05 -38	FRONT AXLE PLANETARIES AND HUB - MFD, WITH 12 BOLT HUB
05 -39	STEERING CYLINDER ASSEMBLY - MFD, 10 BOLT HUB, WITHOUT SUPERSTEER
05 -40	STEERING CYLINDER ASSEMBLY - MFD, 12 BOLT HUB, WITHOUT SUPERSTEER
05 -41	STEERING CYLINDER ASSEMBLY - MFD, 10 BOLT HUB, WITH SUPERSTEER
05 -42	STEERING CYLINDER ASSEMBLY - MFD, 12 BOLT HUB, WITH SUPERSTEER
05 -43	FRONT WHEELS - MFD, 10 BOLT HUB
05 -44	FRONT WHEELS - MFD, 12 BOLT HUB
05 -45	SPACER - DUAL FRONT WHEELS
88.035.01	DIA KIT, HYDRAULIC LIFT LINK
88.037.01	DIA KIT, HEAVY DUTY (WIDE) DRAWBAR
88.044.01	DIA KIT, ATTACHMENT, 10 BOLT DUAL HUB 4-1/2 AXLE
88.055.01	DIA KIT, ASSEMBLY HARNESS, DEERE IMPLEMENT DEPTH CONTROL
88.055.02	DIA KIT, FRONT HITCH HEADLAMPS RH DIP
88.055.03	DIA KIT, FRONT HITCH HEADLAMPS RH DIP TERRAGLIDE

---

## TABLE OF CONTENTS

---

88.055.04		DIA KIT, BACKUP ALARM W/NAO BRACKET
88.055.05		DIA KIT, ATTACHMENT, BACKUP ALARM
88.088.01		DIA KIT, HEADLAND TURN SYSTEM FIELD INSTALLATION
88.090.01		DIA KIT, PACKAGE, CHASSIS RE-ENFORCEMENT-TG
88.090.03		DIA KIT, ATTACHMENT,FRONT FENDER DYN NARROW
88.090.04		DIA KIT, ATTACHMENT, FRONT FENDER FIXED WIDE
88.095.05	01	KIT MX/TG CODI DISPLAY MOUNTING W/POST
88.095.05	02	KIT CODI DISPLAY MOUNTING



---

## SECTION INDEX

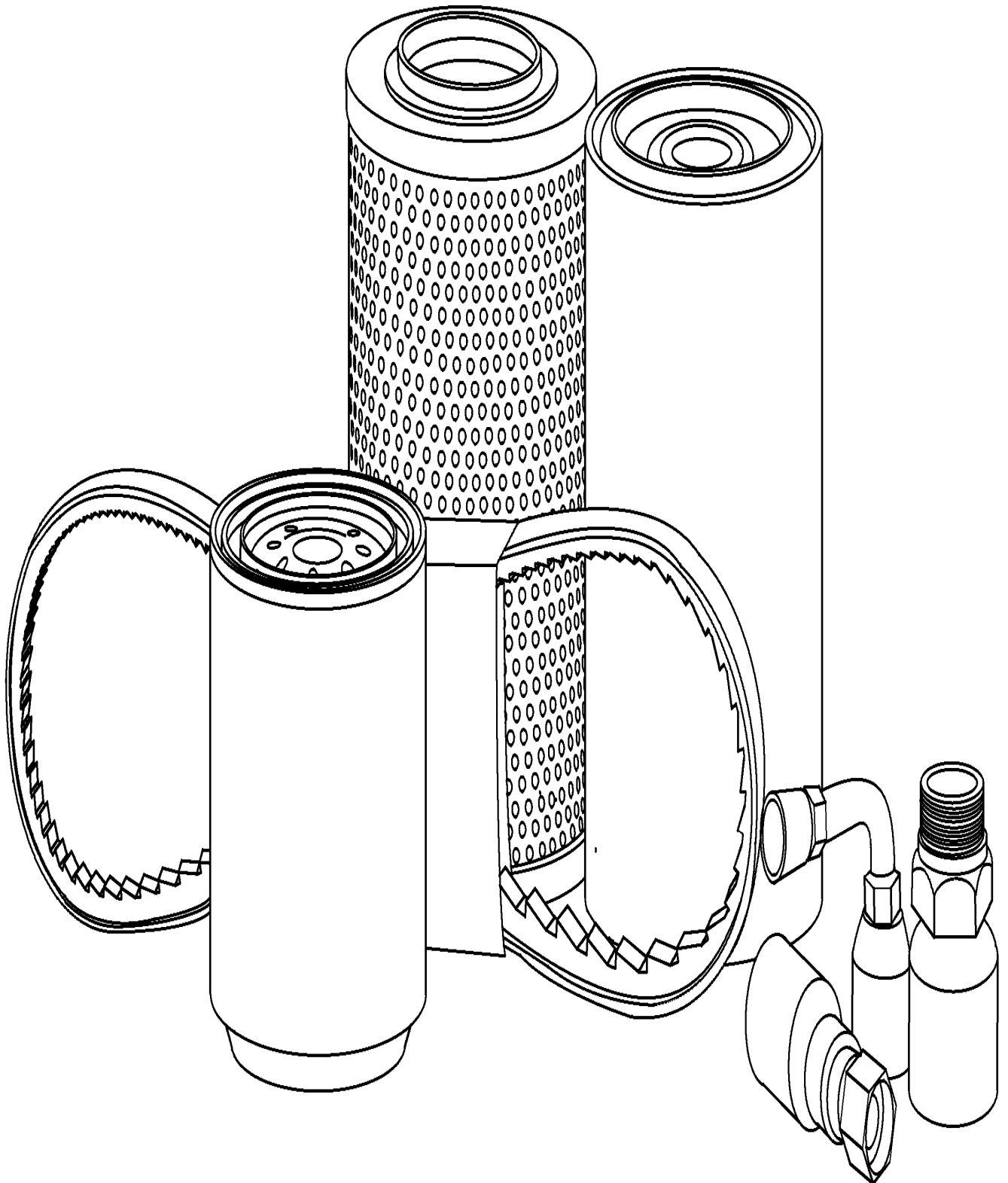
### GENERAL

---

00 -01		INITIAL STOCKING LIST (ISL) T8050 FOR N.A. ONLY
05.100.01		INITIAL STOCKING LIST (LIST A) TG215
05.100.01		INITIAL STOCKING LIST (LIST A) TG245
05.100.01		INITIAL STOCKING LIST (LIST A) TG275
05.100.01		INITIAL STOCKING LIST (LIST A) TG305
05.100.03		FILTER & CAPACITIES, TG215
05.100.03	01	FILTER & CAPACITIES, TG245
05.100.03	01	FILTERS, T8010
05.100.03	01	FILTERS, T8020 - T8030 - T8040 - T8050
05.100.03	01	FILTERS, TG215
05.100.03	01	FILTERS, TG245
05.100.03	01	FILTERS, TG275
05.100.03	01	FILTERS, TG305
05.100.03	02	CAPACITIES, TG215
05.100.03	02	CAPACITIES, TG245
05.100.03	02	CAPACITIES, TG275
05.100.03	02	CAPACITIES, TG305
05.100.03	02	FILTER & CAPACITIES, TG275
05.100.03	03	FILTER & CAPACITIES, TG305



INITIAL STOCKING LIST (ISL) T8050 FOR N.A. ONLY

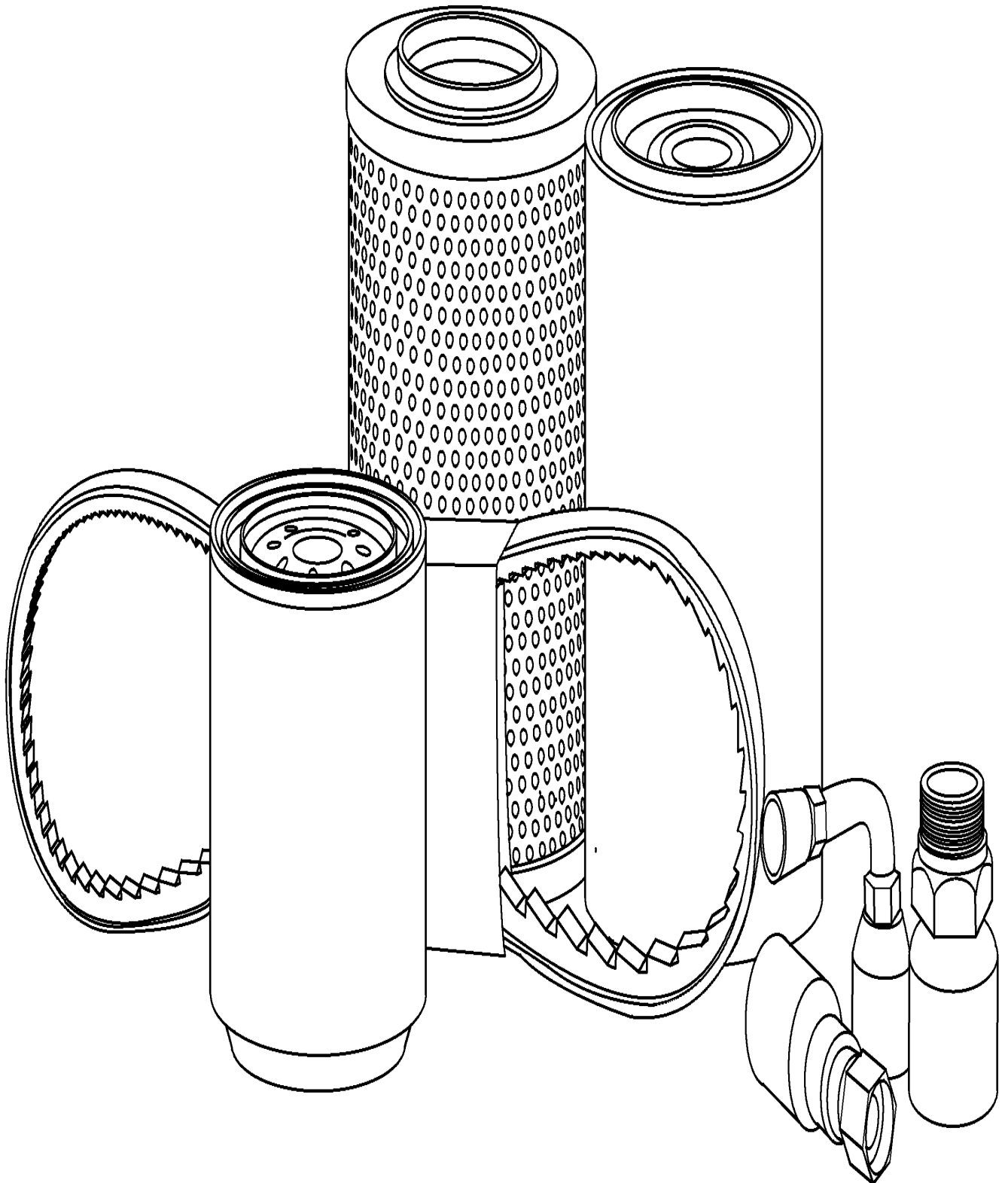


## INITIAL STOCKING LIST (ISL) T8050 FOR N.A. ONLY

REF FN	PART NUMBER	YR/SN	QTY DESCRIPTION
	{LIST A}		Parts Required For Preventative Maintenance
1	84477359		1 FUEL FILTER 25 Micron
2	87360572		1 FUEL FILTER 5 Micron
3	84301243		1 ENGINE OIL FILTER
4	87441267		1 BELT 27.92 mm W x 2165.00 mm L, 8 Ribs PV8
5	87441268		1 BELT 27.92 mm W x 2140.00 mm L, 8 Ribs PV8, 50 KPH Only
6	84475951		1 AIR FILTER Primary, SN Z8RW04135 and after
7	87408705		1 AIR FILTER Secondary, SN Z8RW04135 and after
8	87741560		1 AIR FILTER Primary, SN Z8RW04134 and before
9	87741569		1 AIR FILTER Secondary, SN Z8RW04134 and before
10	336430A1		1 FUEL FILTER
11	87433010		1 BREATHER Fuel Tank
	{LIST B}		Parts Required For Preventative Maintenance And Basic Repair
12	87414866		10 RELAY 12V, 20A 20 Amp
13	120488C2		2 BRAKE PLATE Friction
14	10395890		UAR FUSE 5A, Mini, Beige 5 Amp (Pkg Of 5)
15	87522597		UAR FUSE 10A, Mini, Red 10 Amp (Pkg Of 5)
16	87524877		UAR FUSE 15A, Mini, Blue 15 Amp (Pkg Of 5)
17	10401190		UAR FUSE 20A, Mini, Yellow 20 Amp (Pkg Of 5)
18	10402190		UAR FUSE 30A, Mini 30 Amp (Pkg Of 5)
19	139719A1		1 CIRCUIT BREAKER 15 Amp, Mini 15 Amp
20	177250A1		1 LIGHT SWITCH 4 Position Rotary
21	189946A1		4 SHIM 76mm OD x 1.03mm Thk Cam Bumper
22	47457834		1 IGNITION KEY Set of 2 on Ring
23	228760A1		1 RADAR Sensor, Ground Speed
24	87675608		3 SOLENOID Powershift (For Service Diagnostics)

T8050-TRACTOR (NA)

INITIAL STOCKING LIST (ISL) T8050 FOR N.A. ONLY



**Thanks very much for your reading,  
Want to get more information,  
Please click here, Then get the complete  
manual**

**JustClickHere** 

**NOTE:**

**If there is no response to click on the link above,  
please download the PDF document first, and then  
click on it.**

**Have any questions please write to me:  
[admin@servicemanualperfect.com](mailto:admin@servicemanualperfect.com)**